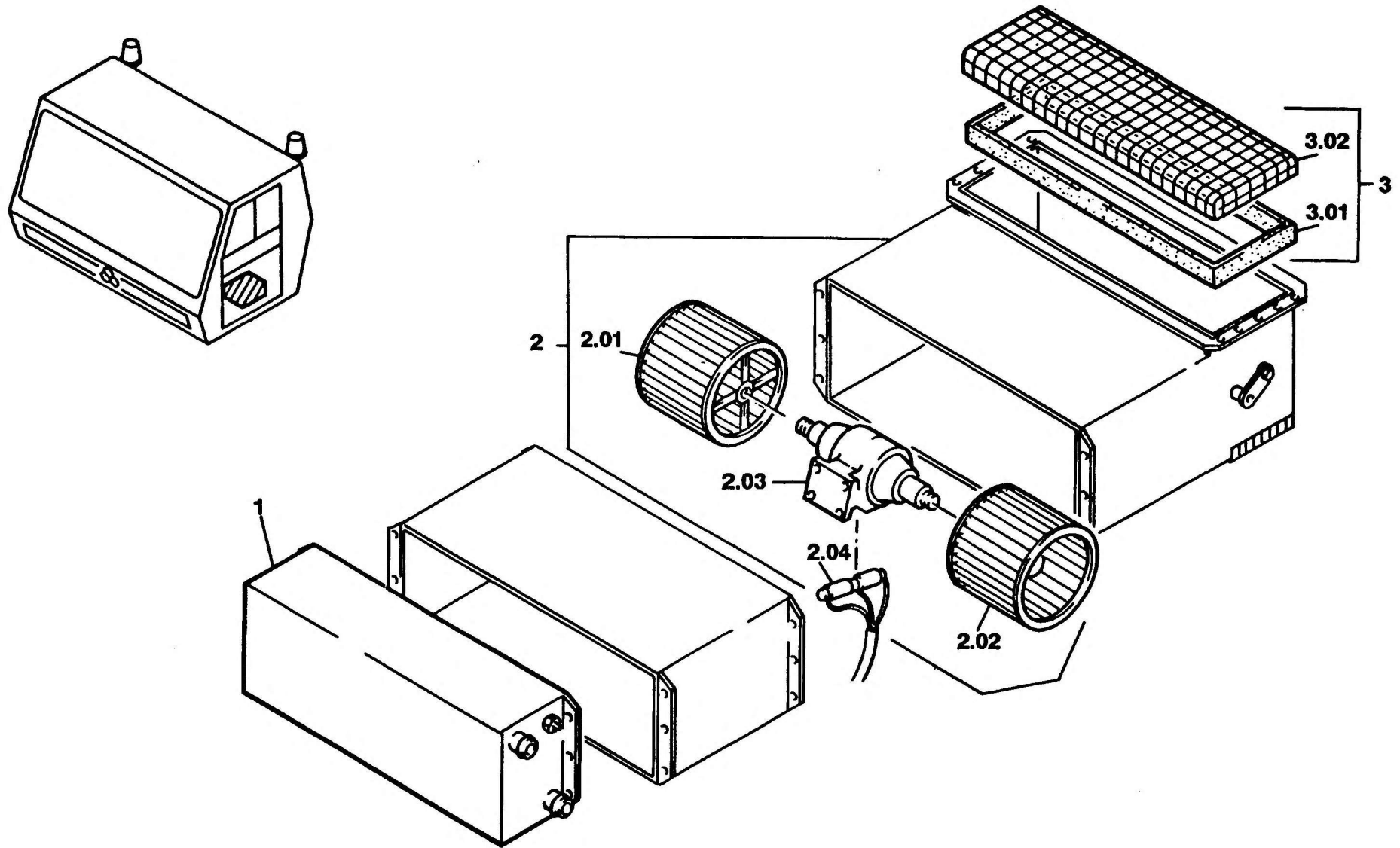




WARMWASSERHEIZGERAET LINKS
WATER HEATER, LEFT

| | | | |
|--------------------------------|-------------|-----|----------|
| BILDTAFEL PICTORIAL DISPLAY | | | KMK 6200 |
| 09.91 | 1930315-ETL | 1/1 | BE 550 |
| | | | G 291 |



A09_301